

# EVO 6

## Air end



### TECHNICAL SPECIFICATION

- › Power range up to 37 kW / 50 HP \*

---

- › Capacity up to 5.5 m<sup>3</sup>/min / 200 cfm

---

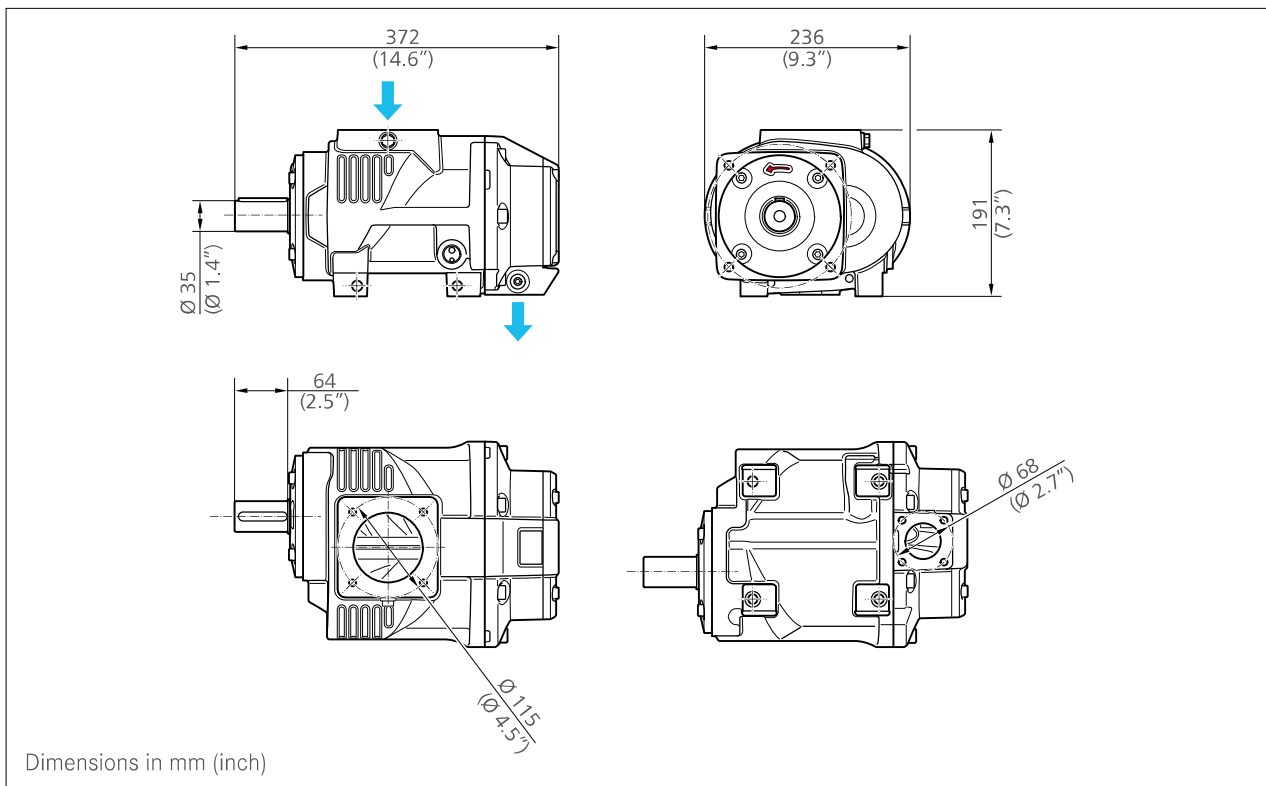
- › Pressure up to 15 barg / 220 psig

---

- › Weight approx. 45 kg / 99 lbs

\* Higher shaft power on request

### ››› Dimensioning

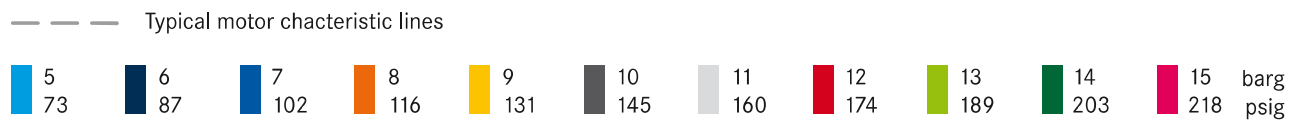
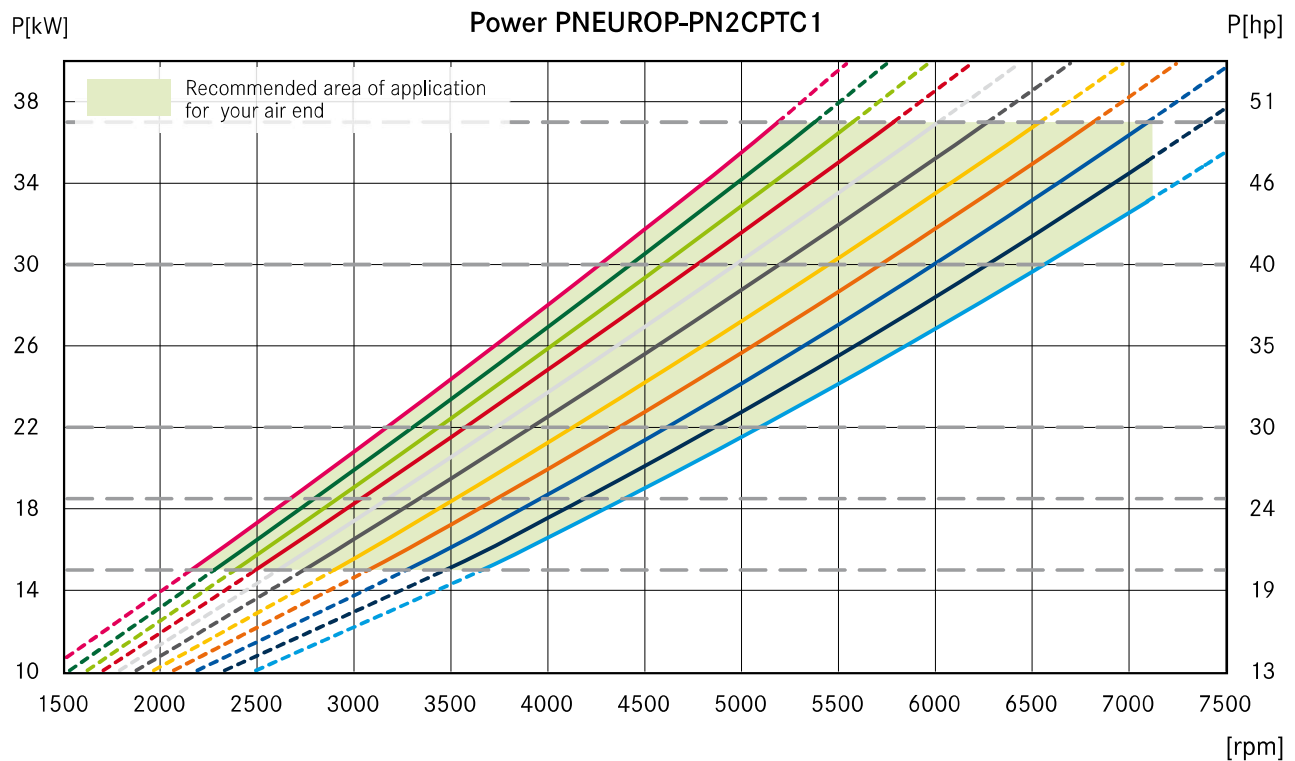
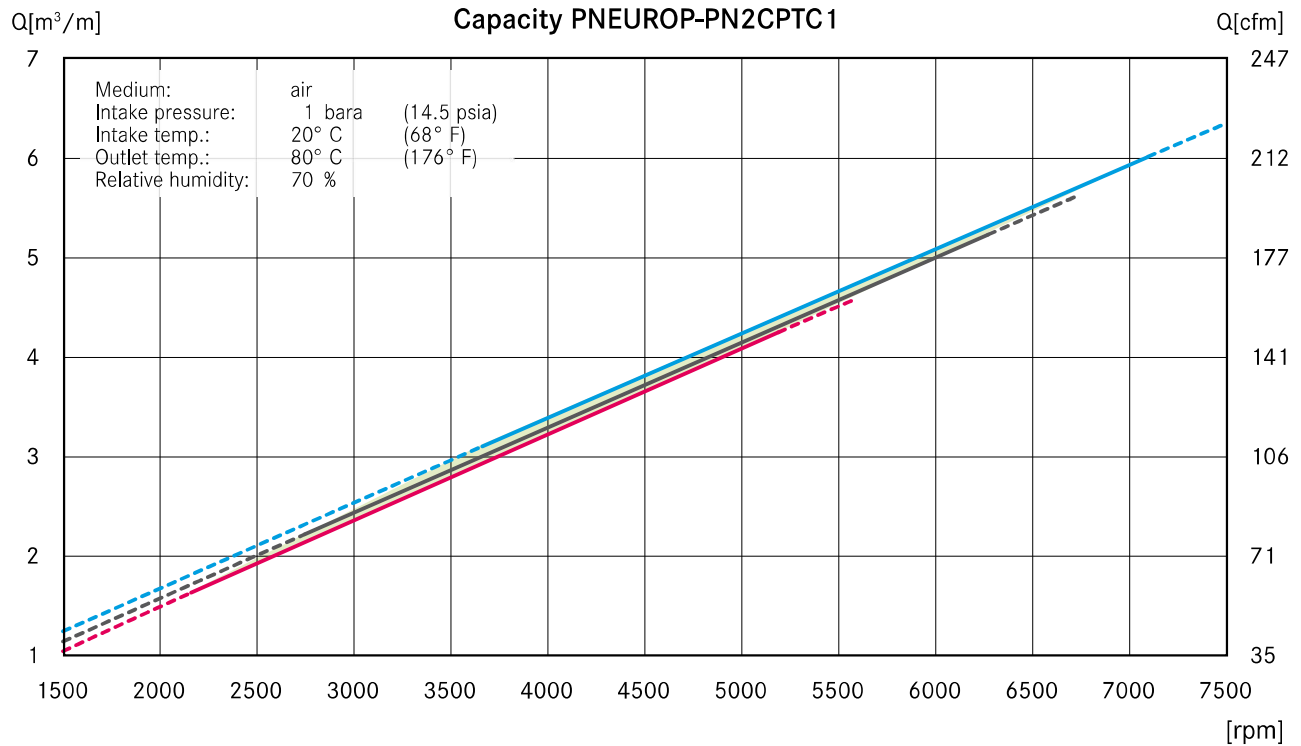


For detailed design, please order the installation drawing/3d model.

Technical modifications and errors excepted!  
© 2018 ROTORCOMP®, Germany



# Performance Data



Technical modifications and errors excepted!  
 © 2018 ROTORCOMP®, Germany

[www.rotorcomp.de](http://www.rotorcomp.de)